



**SW888**

## VIBRATORY TANDEM ROLLER

**It can be used in general HMA, or SMA that is difficult to compact, and with a vibration frequency of 4,000 vpm, it enables rapid, large-scale construction.**

### Best Compaction Quality and Efficiency

- With a centrifugal force that can be set at five different levels, and a maximum vibration frequency of 4,000 vpm, it is capable of handling a variety of hot mix asphalt types (HMA) and rapid construction.
- Using the optional EXACT COMPACT METER allows easy judgment of the appropriate impact spacing.
- The curb clearance is 750 mm, allowing compaction right up to the edge of curbs.
- Both the front and rear drums are equipped with one water sprinkler pump and one spray bar each, as well as a backup water sprinkler pump.
- The spray bar is covered with a windshield that can be opened and closed, ensuring the wetting of the vibration drums and preventing the asphalt from sticking to it.

### High Safety Standards and Operator's Comfort

- The original emergency brake pedal unique to SAKAI is capable of stopping the machine in an emergency, ensuring the safety of workers.
- 1 m x 1 m visibility.
- The engine is mounted on the front frame (separated from operator station) for easier maintenance and operator's comfort.

### Easy Maintenance

- Sprinkler system with anti-clog package, i.e., a plastic water tank, triple-protection filtration, etc., and with perfect draining winterization.
- The folding awning lowers the height of the machine allowing easy transportation.



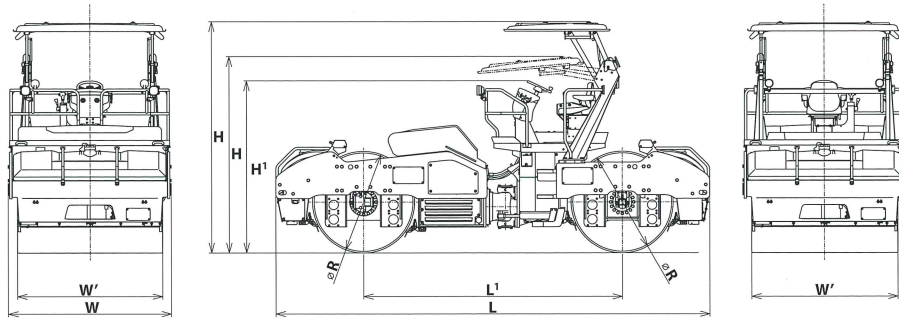
**SW988**

If you need any technical or service parts support on our products, please contact this web page.



[www.sakainet.co.jp/english/](http://www.sakainet.co.jp/english/)

# SW888 · 988



TYPE			Vibratory Tandem Roller	
MODEL			SW888	SW988
CHASSIS MODEL			VSW70	VSW72
<b>WEIGHTS</b>	Max. operating weight with AWNING	kg (lbs)	13,190 (29,080)	13,610 (30,005)
	Operating weight with AWNING	kg (lbs)	12,460 (27,470)	12,880 (28,395)
	Load on front axle - operating weight with AWNING	kg (lbs)	6,230 (13,735)	6,430 (14,175)
	Load on rear axle - operating weight with AWNING	kg (lbs)	6,230 (13,735)	6,450 (14,220)
<b>PERFORMANCE</b>	Centrifugal force (L1, 2, 3 / H1, 2)	kN	163, 92, 64 / 152, 106	176, 99, 69 / 171, 119
		(lbs)	(36,645, 20,680, 14,385 / 34,170, 23,830)	(39,565, 22,255, 15,510 / 38,440, 26,750)
		[kgf]	[16,620, 9,380, 6,530 / 15,500, 10,810]	[17,950, 10,100, 7,040 / 17,440, 12,130]
	Frequency (L1, 2, 3 / H1, 2)	Hz (vpm)	66.7, 50.0, 41.7 / 50.0, 41.7 (4,000, 3,000, 2,500 / 3,000, 2,500)	
	Amplitude (L / H)	mm (in)	0.33 / 0.55 (0.013 / 0.022)	
	Dynamic linear pressure for front drum - operating weight with AWNING (L1, 2, 3 / H1, 2)	N / cm	1,120, 765, 625 / 1,065, 835	
		(lbs / in)	(640, 437, 357 / 608, 477)	
	Dynamic linear pressure for rear drum - operating weight with AWNING (L1, 2, 3 / H1, 2)	N / cm	1,120, 765, 625 / 1,065, 835	
		(lbs / in)	(640, 437, 357 / 608, 477)	
	Number of speed shifts		1	
	Speed range (L / H)	km/h (mph)	0-11 (0-6.8)	
	Gradeability	% (°)	29 (16)	
Turning radius compacted surface (inside / outside)	m (in)	4.3 (170) / 6.3 (249)		
		4.2 (166) / 6.3 (249)		
<b>DIMENSIONS</b>	Overall length <b>L</b>	mm (in)	5,940 (234)	
	Overall width <b>W</b>	mm (in)	2,245 (88)	2,325 (92)
	Overall height (without AWNING) <b>H1</b>	mm (in)	2,375 (94)	
	Overall height (with AWNING) [fold / unfold] <b>H</b>	mm (in)	2,710 / 3,190 (107 / 126)	
	Wheelbase <b>L1</b>	mm (in)	3,540 (139)	
	Compaction width <b>W'</b>	mm (in)	2,000 (79)	2,130 (84)
	Drum width <b>W'</b> / Drum diameter <b>R</b>	mm (in)	2,000 / 1,400 (79 / 55)	
	Shell thickness	mm (in)	22 (0.9)	
	Ground clearance	mm (in)	335 (13.1)	
	Curb clearance	mm (in)	750 (29.6)	
	Side clearance	mm (in)	121 (4.8)	97 (3.9)
	<b>ENGINE</b>	Make		DEUTZ
Model			BF4M2012C (EPA Tier2 : equivalent)	
Type			Diesel, water cooled, 4 cycle, 4 cylinder, with turbo charger	
Displacement		L (cu.in)	4.038 (246.4)	
Rated output		kW(HP)/min <sup>-1</sup>	100.0 (134) / 2,400	
Electric system battery		V (V / CCA x Qty)	12V (12V / 760 x 2)	
Electric system alternator		V / A	14V / 95A	
<b>DRIVE SYSTEM</b>	Transmission type		Hydrostatic	
	Drive wheel		All wheel (two drums)	
<b>VIBRATION SYSTEM</b>	Power transmission type		Hydraulic	
	Number of amplitude		2	
<b>BRAKE SYSTEM</b>	Vibrator type		Double eccentric shaft	
	Service brake		Dynamic braking through hydrostatic drive system / FNR lever	
	Secondary brake (Emergency brake)		Hydrostatic + Spring applied hydraulically released type (SAHR) / Brake pedal	
<b>STEERING SYSTEM</b>	Parking brake		SAHR / Panel button	
	Power transmission type		Hydraulic	
	Articulation / Oscillation angle	± (°)	36.7 / 6.5	
<b>FLUID CAPACITY</b>	Fuel tank	L (gal)	292 (77.1)	
	Hydraulic oil tank	L (gal)	83 (21.9)	
	Water sprinkler tank	L (gal)	600 (158.5) x 2	

- Specified figures have a tolerance of ±5%.
- All specifications may be changed without notice.
- Specified figures are in SI Units, followed by their equivalent in English units of measurement in parentheses.
- Max. operating weight : Fuel=100%, Water=100%, Operator=75kg
- Operating weight : Fuel=50%, water=50%, operator=75kg
- The photos may contain optional equipment and/or attachment.

\* Using low quality fuel may cause engine failure.

#### Standard Equipment :

- AWNING ● Instrument panel ● Gauges ● Backup alarm ● Horn
- Head light ● Working lights ● Mirrors
- Scrapers for both directions ● Swing seat
- Independent vibration control ● Pressurized water sprinkler system
- Intermittent water spray timer ● 4 points lifting
- Accessory socket (12V) ● Vandalism protections

#### Optional Equipment :

- ROPS CANOPY ● EXACT COMPACT METER



**SAKAI HEAVY INDUSTRIES, LTD.**

HEAD OFFICE: 1-4-8, SHIBA DAIMON, MINATO-KU, TOKYO JAPAN  
 TELEPHONE: +81-3-3431-9971  
 FACSIMILE: +81-3-3436-6212