



TS200
(9 wheels / standard tire)



T2
(7 wheels / wide tire)

STATIC PNEUMATIC TIRE ROLLER

10–15 tonne class static pneumatic tire roller for smooth finish and compaction on medium and large paving jobs.

Best Compaction Quality and Efficiency

- Pneumatic tires with uniform, high contact pressures and kneading effect achieve the target density.
- Wide tires overlap larger area (TS200 : 35mm, T2 : 55mm) so it would be great for asphalt pavement.
- Zero side clearance provides a full view of the tire edges for easy rolling along curbs and near buildings.
- Tilting mechanism of the front wheels provides continuous contact at all times on uneven surfaces for uniform compaction and a smooth finish.
- Pressurized water sprinkler system is standard to minimize pickup of hot mix asphalt (HMA) on tires.

Operators Comfort

- Fold-down awning is standard for easy transportation.
- Quiet and comfortable with low noise level.

High Safety Standards

- Five mirrors are standard safety equipment for good visibility.
- Flat floor and hand rail around the operator station protect operator against falling or tripping hazards.

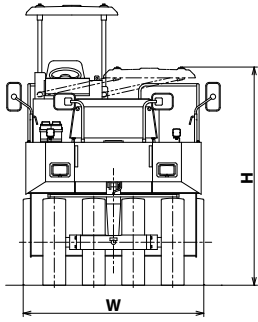
Easy Maintenance

- Easy cleaning water tank with a large drain plug and sloped bottom.
- Water and release agent spray system with anti-clog package, i.e., triple-protection filtration, etc., and with perfect draining winterization.
- Water filter is easily cleaned by turning the lever. No need to change filters.
- Easy-access lubrication device for the drive chain is standard.

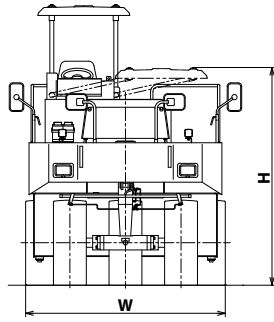


Option
Cabin with air conditioner

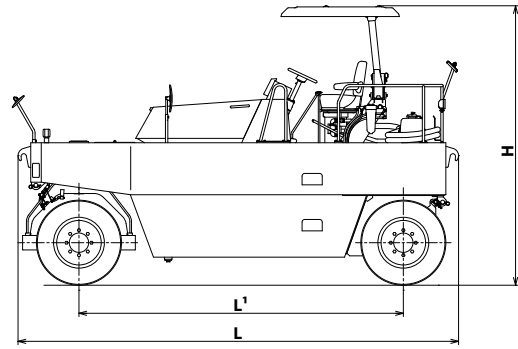
TS200-T2



TS200



T2



| TYPE | | Static Pneumatic Tire Roller | |
|---|---|------------------------------|--|
| MODEL | | TS200 | T2 |
| CHASSIS MODEL | | 2TS12 | 2T7 |
| WEIGHTS | Max. operating weight with AWNING | | |
| | with METAL BALLAST | kg (lbs) | 10,580 (23,325) |
| | with WATER BALLAST | kg (lbs) | 13,080 (28,835) |
| | with METAL & WATER BALLAST | kg (lbs) | 15,080 (33,245) |
| | Operating weight with AWNING | kg (lbs) | 10,790 (23,790) |
| | Load on front axle (with operating weight) | kg (lbs) | 4,310 (9,500) |
| Load on rear axle (with operating weight) | kg (lbs) | 6,480 (14,285) | |
| PERFORMANCE | Number of speed shifts | | 4 |
| | Speed range (Forward & Reverse) (1/2/3/4) | km/h (mph) | 0-4 / 0-7 / 0-11 / 0-19 (0-2.5 / 0-4.3 / 0-6.8 / 0-11.8) |
| | Gradeability | % (°) | 42 (22) |
| | Turning radius compacted surface (inside/outside) | m (in) | 3.7 / 6.8 (146 / 268) |
| DIMENSIONS | Overall length L | mm (in) | 5,040 (198) |
| | Overall width W | mm (in) | 2,065 (81) |
| | Overall height H (fold/unfold) | mm (in) | 2,490 / 3,205 (98 / 126) |
| | Wheelbase L' | mm (in) | 3,700 (146) |
| | Compaction width W | mm (in) | 2,065 (81) |
| | Tire size x Number of tires (Front/Rear) | | 9.00-20-10PR (OR) x 4 / 9.00-20-10PR (OR) x 5 |
| | Inflation (each wheel) | kPa (psi) | 525 (76.1) |
| | Overlap | mm (in) | 35 (1.4) |
| | Ground clearance (with ballast/without ballast) | mm (in) | 225 / 295 (9 / 12) |
| | Curb clearance | mm (in) | ∞ |
| Side clearance | mm (in) | 0 | |
| ENGINE | Make | | ISUZU |
| | Model | | BB-6BG1 |
| | Type | | Diesel, water-cooled, 4-cycle, direct injection type |
| | Engine emission standard | | Japan stage II : equivalent |
| | Displacement | L (cu.in) | 6.494 (396.3) |
| | Rated output | kW (HP)/min ⁻¹ | 70.5 (95) / 1,800 |
| | Electric system battery | V (V/Ah x Qty) | 24 (12 / 100 x 2) |
| | Electric system alternator | V/A | 24 / 25 |
| DRIVE SYSTEM | Transmission | | Mechanical transmission |
| | Differential type | | Auto lock type |
| | Drive wheel | | Rear wheels |
| BRAKE SYSTEM | Service brake | | Hydraulic, internal expanding type / Brake pedal |
| | Parking brake | | Mechanical, internal expanding type / Side lever |
| STEERING SYSTEM | Power transmission type | | Hydraulic |
| | Articulation/Oscillation angle | ± (°) | 38 / 6.0 |
| FLUID CAPACITY | Fuel tank | L (gal) | 95 (25.1) |
| | Hydraulic tank | L (gal) | 7 (1.8) |
| | Sprinkler tank | L (gal) | 4,500 (1,188.8) |
| | Liquid tank | L (gal) | 19 (5.02) option |
| | METAL BALLAST (option) | kg (lbs) | 2,000 (4,410) |

- Specified figures have a tolerance of ±5%.
- All specifications may be changed without notice.
- Specified figures are in SI Units, followed by their equivalent in English units of measurement in parentheses.
- Max. operating weight : Fuel=100%, Water=100%, Operator=75 kg
- Operating weight : Fuel=50%, water=50%, operator=75 kg
- The photos may contain optional equipment and/or attachment.

* Using low quality fuel may cause engine failure.

Standard Equipment :

- AWNING ● Instrument panel ● Gauges ● Back up alarm ● Horn
- Comfort seat ● Front-facing working lights ● Rear-facing working lights
- Turn signal lamp ● Mirrors ● Pressurized water sprinkler system
- Road sprinkler system ● Intermittent water spray timer
- Release agent spray system (T2) ● 4 points lifting

Optional Equipment :

- Cabin with air conditioner ● Rotary beacon ● Cocomat
- Release agent spray system (TS200) ● METAL BALLAST (2t)
- Vandalism protections



ISO9001 certified Tokyo Head Office,
Tokyo Factory, Global Service Division,
Technical Development Division.



SAKAI HEAVY INDUSTRIES, LTD.

HEAD OFFICE: 1-4-8, SHIBA DAIMON, MINATO-KU, TOKYO JAPAN
TELEPHONE: +81-3-3431-9971
FACSIMILE: +81-3-3436-6212